

GV-MFD220 2MP H.264 Mini Fixed Dome



- 2 Megapixel Progressive Scan CMOS
- Dual streams from H.264 and MJPEG
- Up to 30 fps at 1920 x 1080
- Day and night function (electronic)
- Built-in microphone
- Memory card slot
- Active Tampering alarm
- Wide Dynamic Range (WDR)
- Defog
- Motion detection
- Privacy mask
- IP address filtering
- iPhone, iPad, Android
- PoE (Power over Ethernet)
- Megapixel lens
- Supports iPhone, iPad, Android & 3GPP
- 31 languages on Web interface
- ONVIF conformant

* No Memory card slot & local storage function for Argentina.

Active Tampering Alarm

Tampered



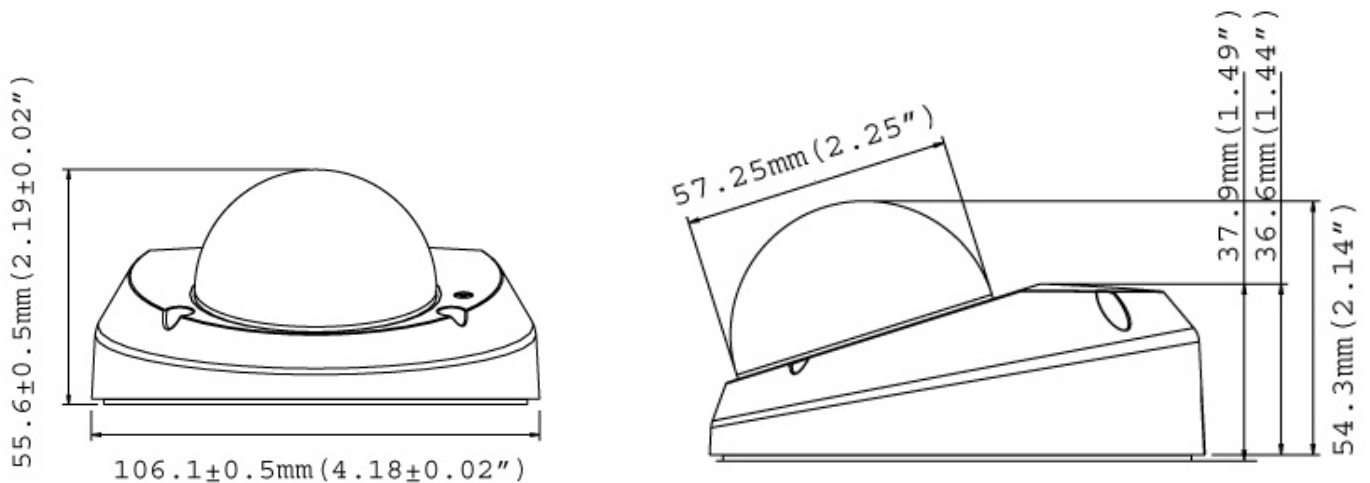
Focus Change



Camera Shift



Dimensions




Specifications

Camera		
Image Sensor		1/2.5" progressive scan CMOS
Picture Elements		1920 (H) x 1080 (V)
Minimum Illumination	Color	0.5 Lux at F/2.8
Shutter Speed		Automatic, Manual (1/5 ~ 1/8000 sec.)
White Balance		Automatic, Manual (2800K ~ 8500K)
Gain Control		Automatic
S/N Ratio		45 dB
BLC		Yes
Lens		
Megapixel		Yes
Day/Night		Yes (electronic)
Iris		Fixed
Focal Length		2.54 mm
Maximum Aperture		F/2.8
Mount		M12, Pitch 0.5 mm
Image Format		1/2.5"
Operation	Focus	Fixed
	Zoom	Fixed
	Iris	Fixed
Operation		
Video Compression		H.264, MJPEG
Video Stream		Dual streams from H.264 and MJPEG
Frame Rate		30 fps at 1920 x 1080 * The frame rate and the performance may vary depending on the number of connections and data bitrates (different scenes).
Image Setting		Brightness, Contrast, Sharpness, Gamma, White Balance, Flicker-less 50/60 Hz, Image Orientation, Shutter Speed, Backlight Compensation, WDR Defog
Audio Compression		G.711, AAC (16 kHz / 16 bit) * AAC is only supported by GV-System V8.5 or later
Sensor Input		No
Alarm Output		No
Video Resolution		
Main Stream	4:3	1600 x 1200, 1280 x 960, 640 x 480, 320 x 240
	16:9	1920 x 1080, 1280 x 720, 640 x 360, 448 x 252
	5:4	1280 x 1024, 640 x 512, 320 x 256
Sub Stream	4:3	640 x 480, 320 x 240
	16:9	640 x 360, 448 x 252
	5:4	640 x 512, 320 x 256
Network		
Interface		10/100 Ethernet
Ethernet Protocol		HTTP, HTTPS, TCP, UDP, SMTP, FTP, DHCP, NTP, UPnP, DynDNS, 3GPP/ISMA, RTSP, PSIA, SNMP, QoS (DSCP), ONVIF
Mechanical		
Temperature Detector		Yes
Camera Angle Adjustment	Pan	-45° ~ 45°
	Tilt	0° ~ 90°
Connectors	Power	2-pin terminal block, PoE
	Ethernet	Ethernet (10/100 Base-T), RJ-45
	Audio	Built-in microphone
	Digital I/O	No
	Auto Iris	No
	Local Storage	Micro SD/SDHC/SDXC memory card slot (for Class 6 card or above)
	TV-Out	No
LED Indicator		4 LEDs: Link, ACT, Power, Status

General		
Environment Temperature	0 °C ~ 50 °C (32 °F ~ 122 °F)	
Humidity	10% to 90% (no condensation)	
Power Source	12V DC, PoE (IEEE802.3af)	
Max. Power Consumption	5.5 W	
Dimensions	Camera Body	ø 106 x 55.6 mm (4.2 x 2.2")
	Cable Length	1 m (3.28 ft.)
	Cable Diameter	ø 8 mm (0.31")
	Maximum Connector Diameter	ø 28.5 mm (1.12")
Weight	280 g (0.62 lb)	
Regulatory	CE, FCC, C-Tick, RoHS compliant	
Power over Ethernet		
PoE Standard	IEEE 802.3af Power over Ethernet / PSE	
PoE Power Supply Type	End-Span	
PoE Power Output	Per Port 48V DC, 350mA. Max. 15.4 watts	
Web Interface		
Installation Management	Web-based configuration	
Maintenance	Firmware upgrade through Web Browser or Utility	
Access from Web Browser	Camera live view, video recording, change video quality, bandwidth control, image snapshot, audio, Picture in Picture, Picture and Picture, Privacy Mask, Text Overlay	
Language	Arabic / Bulgarian / Czech / Danish / Dutch / English / Finnish / French / German / Greek / Hebrew / Hungarian / Indonesian / Italian / Japanese / Lithuanian / Norwegian / Persian / Polish / Portuguese / Romanian / Russian / Serbian / Simplified Chinese / Slovakian / Slovenian / Spanish / Swedish / Thai / Traditional Chinese / Turkish	
Applications		
Network Storage	GV-NVR, GV-System, GV-Backup Center, GV-Recording Server	
Smart Device Access	GV-Eye for Android smartphone, tablet, iPhone, and iPod Touch GV-Eye HD for iPad	
Live Viewing	IE , mobile phone	
CMS Server support	GV-Control Center, GV-Center V2, GV-VSM	

Note: Specifications are subject to change without notice.

Accessories

Name	Details
GV-PA191 PoE Adapter	 <p>Weight: 130 g (0.29 lb) Dimensions (H x W x D): 43 x 69 x 40 mm (1.69 x 2.72 x 1.57")</p>
Power Adapter	Power adapters are available in 4 regions: U.S.A., Australia, U.K and Europe.