

# Mega Pixels Bullet Cameras

- ▶ 1/3" Sony CMOS Image Sensor (IMX222)
- ▶ HD Resolution: 1080p
- ▶ 3.6mm Fixed Mega Lens
- ▶ Privacy Mask Function
- ▶ Intelligent motion detection
- ▶ Defog (Visibility Enhancement on the low contrast scene)
- ▶ AHD/CVBS Selectable



## ▶ Camera Specifications

Item	
Imaging Sensor	1/3" Sony COMS Image Sensor (IMX222)
Total number of Pixels	2000(H) X 1241(V) 2.48M(pixel)
Number Of Effective Pixels	1984(H) X 1225(V) = 2.43M(pixel)
Scanning System	Progressive Scan
S/N Ratio	More than 50dB (AGC Off)
Resolution	1080p (1920 x 1080) 25p/30p: 1100TVL NTSC/PAL
Min. Illumination	1.0Lux(Color) , 0.5Lux(BW) , 0.02Lux(Sens-up x30)
O.S.D	Built-in
Shutter Speed	Auto Manual ( 1/50, 60sec ~ 1/50,000sec)/Flicker
Auto Gain Control	Off/ 1 ~ 15 Step
Sens - up	AUTO / OFF (x2 ~ x30)
Brightness	0~100
D-WDR	ON / OFF / AUTO
DEFOG	OFF / AUTO
Backlight Compensation	BLC / HSBLIC / OFF
White Balance	ATW / AWC-SET / INDOOR / OUTDOOR / MANUAL / AWB
Day & Night	AUTO / COLOR / BW / EXT (selectable)
DNR	2DNR / 3DNR
D - EFFECT	FREEZE / MIRROR / NEG.IMAGE
Motion Detection	On / Off (4 Zone Selectable)
Privacy Masking	On / Off (4 Zone Selectable)
Language	English / Chinese1 / Chinese2 / German / French / Italian / Spanish / Polish / Russian / Portuguese / Dutch / Turkish / Korean / Japanese / Hebrew / Arab
Lens	3.6mm Fixed Mega Lens
Supplied Voltage	DC12
Power Consumption	Max. 1.5W[120mA]

## ▶ Structure Specifications

MECHANICAL	
Dimension	20.8(Φ)X78.9mm(without Sunshield)
Weight	0.50kg
ENVIROMENTAL	
Construction	Die-Casting(Aluminum)
Operating Temp.	-10°C ~ 50°C
Storage Temp.	0°C ~ 50°C
Humidity	0% to 90%

## OSD CONTROL



**STEP 1.**  
It's covered the OSD Control hole with the Joystick cap as the Pic.

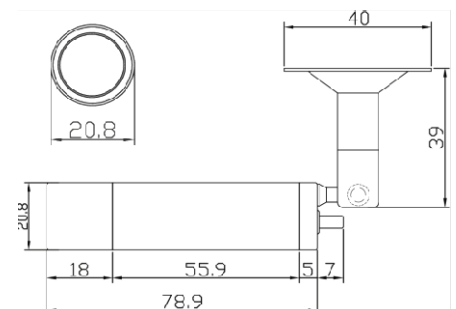


**STEP 2.**  
Rotate the knob counterclockwise to open the OSD Control hole.

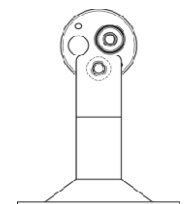
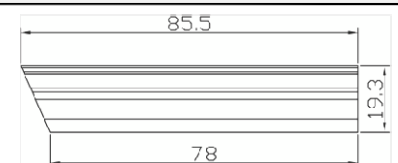


**STEP 3.**  
Put the reversed Joystick in the OSD Control hole.

## DIMENSION



## SUNSHIELD



STAND BRACKET