

Outdoor Speed Dome Camera

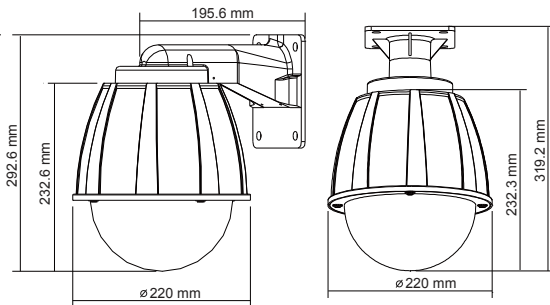
Features

- 35x or 22x optical zoom, 16x digital zoom
- Day & Night (option: IR-Cut filter Removable, ICR)
- On Screen Display (OSD) set-up menu
- 128 preset points
- Remote Control via RS-485 (by RYK-8330 control keyboard)
- IP 66 for outdoor, built-in Heater & Fan
- Wall / Pendant / Corner mount for choice



• Wall Mount (A type)

• Pendant Mount (B type)



Controller :



RYK-8330
(RS-485)

Option :



RYK-8728
Wall Mount



RYK-8729
Pendant Mount



RYK-8730
Corner Mount

Model No.	Wall	RYK-2E00A	RYK-2E01A	RYK-2E02A	RYK-2E03A
	Pendant	RYK-2E00B	RYK-2E01B	RYK-2E02B	RYK-2E03B
Image Device		1/4" Color Sony Super HAD (Hi-Res.)	1/4" Color Sony Super HAD	1/4" Color Sony EX-View HAD (Hi-Res.)	
Picture Elements		NTSC:768x494, PAL:752x582	NTSC:510x492, PAL:500x582	NTSC:768x494, PAL:752x582	
Resolution		470 TVL	330 TVL	470 TVL	
Min. Illumination		0.7 Lux / F1.6	0.1 Lux (Night / BW), 0.3 Lux (Day / Color) / F1.6~3.7	0.01 Lux (Night / BW), 0.5 Lux (Day / Color) / F1.6~3.7	
Electronic Shutter		NTSC:1/60~1/30,000, PAL:1/50~1/30,000			
Lens Furnished		22x Auto Focus Zoom (3.9~85.8mm / F1.6~3.7)	22x (ICR) Auto Focus Zoom (3.9~85.8mm / F1.6~3.7)	35x (ICR) Auto Focus Zoom (3.6~126mm / F1.6~4.2)	
Digital Zoom Ratio		Basic 16x (Total Zoom Ratio 352x), 2x~16x variable			Basic 16x (Total Zoom Ratio 560x), 2x~16x variable
Zoom Speed		5 sec			8 sec
Focus Mode		Auto / Manual / Push Auto			
Iris Control		Auto / Manual			
White Balance		Auto / Hue / Indoor / Outdoor / manual / Push Auto			
Day & Night (ICR)		—	AE / Sensor / Day / Night		
Gain Control		Auto / Manual			
Back Light Comp.		On / Off			
Pan / Tilt	Angle	Pan: 360°, Tilt: 0°~90°			
Control	Speed Control	Manual: Pan 1°~150° / sec, Tilt: 1°~100° / sec, Auto: Pan 1°~300° / sec, Tilt: 1°~200° / sec			
Preset Point		128 preset points			
Sequence		6			
Remote Control		RS-485			
Protocol		YOKO / PELCO D&P / LG			
On Screen Display		Set-up menu			
Auto Turn Around		Yes			
Alarm / Relay		6 / 1			
Sync. System		Internal			
Video Output		1 Vp-p / 75 Ohms			
Power Supply		DC12V ± 10% (option: AC24V)			
Power Consumption		DC: 2800mA max. / AC: 2400mA max.			
Operating Temp.		-10°C ~ 50°C			