

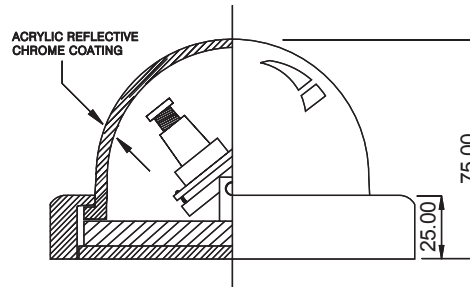
# DOME CAMERA

## Super resolution & Dome camera

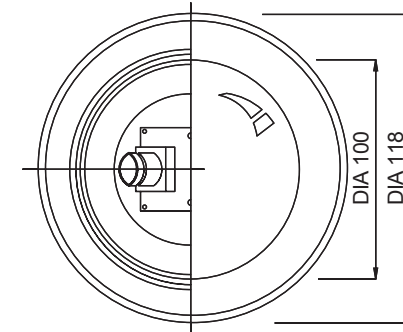
• Model : PRO - 1600 SR



• SIDE VIEW

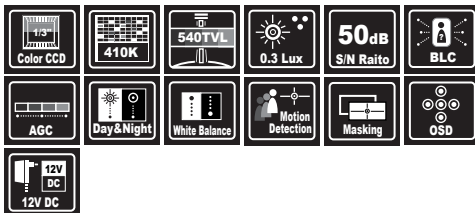


• TOP VIEW



### FEATURES

- ▶ High Resolution of 540TV Line
- ▶ 1/3" Super HAD color CCD with 410K Pixels
- ▶ Plastic 100 pie housing
- ▶ Min.Illumination of 0.3 LUX @ F1.2 (Normal Color Mode)
- ▶ Video test connector
- ▶ OSD control switch
- ▶ Back Light Compensation
- ▶ Motion Detection / 0.002 LUX @ F1.2(Sens-up)
- ▶ Privacy Image Masking with Free Position : 4Zones



■ Standard    □ Option

### SPECIFICATIONS

DESCRIPTION	PRO - 1600 SR
▶ Image Pick-Up Device	1/3"SONY SUPERHAD CCD
▶ TV System	NTSC / PAL
▶ Pixels	NTSC = 768(H)X 494(V) PAL = 755(H)X 582(V)
▶ Scanning System	2:1 Interlaced
▶ Sync System	Internal
▶ Resolution	540TV Line
▶ Minimum Illumination	0.3 Lux // (Option : 0.002 Lux / Sens-Up X 128)
▶ S/N Ratio	More than 50 dB
▶ White Balance	ATW / AWC / MANUAL (1800K ~ 10,500K)
▶ Gamma Characteristic	0.45
▶ Video output	1.0Vp-p 75 ohm Composite
▶ Electronic shutter Speed	NTSC : AUTO/MANUAL (X128~1/60SEC~1/120,000sec) SENS-UP & SENS-UP LIMIT IS SELECTABLE / FLICKERLE PAL : AUTO/MANUAL (X128~1/50SEC~1/120,000sec) SENS-UP & SENS-UP LIMIT IS SELECTABLE / FLICKERLE

DESCRIPTION	PRO - 1600 SR
▶ OSD	BUILT-IN
▶ BLC	LOW, MIDDLE, HIGH, OFF-SELECTABLE
▶ AGC	LOW, MIDDLE, HIGH, OFF-SELECTABLE
▶ DNR	LOW, MIDDLE, HIGH, OFF-SELECTABLE
▶ DAY&NIGHT	AUTO / ON
▶ MOTION DETECTION	ON / OFF (4 ZONE)
▶ MIRROR	ON / OFF
▶ SHARPNESS	ON / OFF (LEVEL ADJUSTABLE)
▶ PRIVACY	ON / OFF (4 ZONE)
▶ Power Supply	DC12V
▶ Power Consumption	150mA
▶ Lens	Fixed Board lens
▶ Operational Temperature	-10Deg ~ +50 Deg C RH95% Max
▶ Storage Temperature	-20Deg ~ +60 Deg C RH95% Max
▶ Weight	Appx. 350 g