

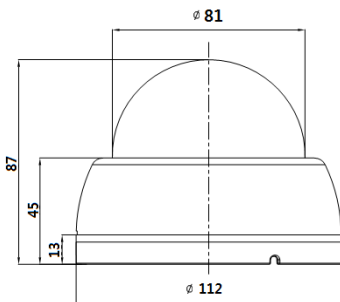
◆ Picture



◆ Feature

- 1/3" Sony Exmor CMOS(IMX238)
- 1.4Megapixel (720P) Display with AHD format
- Low up to 0.0008Lux with Sens-Up (30x)
- Motion Detection, Privacy Masking (4), Day/Night, DWDR
- 3DNR (Digital Noise Reduction), Defog, OSD
- Live Defect Detection & Correction
- Max. Transmission distance (500m) via coaxial cable
- Multi Languages (English/Chinese/Germany/French/Italian/Spanish/Polish/Russian/Portuguese/Netherlands(Dutch)/Turkish)
- 3.6mm Fixed Lens
- 3Axis Rotation, Indoor Type

◆ Dimensions



Unit: mm

◆ Specifications

Item	
Video	
Image Sensor	1/3" 1.4 Mega(720p) Sony Exmor CMOS
Scan mode	Progressive Scan
Total number of pixels	1312(H) × 1069 (V), 1.4M
Number of active pixels	1305(H) × 1049 (V)
Resolution	850 TVL
Minimum illumination	0.0008Lux with Sense-up(8x)
Video Output	AHD or CVBS
S/N Ratio	More than 50dB (AGC Off)
Lens	
Lens	3.6mm Fixed Mega Pixel Lens
Iris	Electric Iris
Function	
Day & Night	
	Auto / Color / BW / EXT
White Balance	ATW/AWC/INDOOR/OUTDOOR/Manual/AWB
AGC	Off/0 -15
DNR	Off / Low / Middle / High
Mirror / Flip	Off / On
Privacy Zone / Motion	4 Zones / 1 Zones
Brightness	Level (1~100)
Shutter	Auto/Manual(1/30~1/50000)
Back light	HSBLC/D-WDR/BLC
Environment	
Operating Humidity	30 % ~ 90 % RH
Operating Temp.	- 10°C to 50°
Electrical	
Power Consumption	Max 2W
Power Supply	DC12V±10, Dual Type: AC24/DC12V(Optional)
Mechanical	
Construction	Plastic body , PC bubble
Dimension	87mm(H) X 81Ø
Weight	About 0.35kg